



Rocking & Waving Shakers



Reliable Rocking and Waving Shakers with Simple Adjustments for Tilt Angle and Speed

OHAUS Rocking and Waving Shakers are innovatively designed for use in a wide range of lab applications. Rocking Shakers provide controlled seesaw-like motion, while Waving Shakers offer a smooth, low-foaming, 3D wave motion. Available in microprocessor-controlled digital models and economical non-digital models. All models include a non-slip mat, and most models are available with a stacking tray option to easily double the capacity.

Standard Features:

- Electronic control allows simple tilt angle and speed adjustments while the unit is still running to achieve optimal mixing.
- Achieve reproducible results you can trust with digital models. Precisely adjust the tilt angle in 1° increments with variable speed down to 1 rpm with intuitive touchpad controls.
- Optimal speed ramping feature slowly increases speed to desired setpoint to avoid splashing. Smooth rocking or waving motion is maintained with state-of-the-art motor and electronics.

Rocking & Waving Shakers

| Model | SHRK07AL1 | SHRK07AL2 | SHRK04DG | SHWV02AL | SHWV02DG |
|--------------------------------|---|--|--|--|--------------------------------------|
| Control | Analog | Analog | Digital | Analog | Digital |
| Motion / Tilt Angle | Rocking / 0 – 15° | | | Waving / 0 – 16° | Waving / 0 – 20° |
| Speed Range | 1 – 75 rpm | | 1 – 50 rpm | 1 – 75 rpm | 1 – 30 rpm |
| Speed Accuracy | ± 1 rpm | | | | |
| Timer | 1 minute – 120 minutes | | 1 second – 160 hours | 1 minute – 120 minutes | 1 second – 160 hours |
| Capacity | 16 lb / 7.3 kg | | 10 lb / 4.5 kg | 5 lb / 2.3 kg | |
| Working Environment | 14 °F – 140 °F, 80% Relative Humidity, non-condensing / -10 °C – 60 °C, 80% Relative Humidity, non-condensing | | | | |
| Drive System | Stepper Motor | | | | |
| Included Tray (L x W) | 14 in. x 11 in. / 356 x 279 mm | | 12.75 in. x 10 in. / 324 x 254 mm | 14 in. x 11 in. / 356 x 279 mm | 11.75 in. x 8.75 in. / 299 x 222 mm |
| Tray Construction | Aluminum | | | | |
| Tiers | 1 | 2 | 1 | | |
| Overall Dimensions (L x W x H) | 16.8 x 11 x 6.5 in. / 425 x 279 x 165 mm | 16.8 x 11 x 9.5 in. / 425 x 279 x 241 mm | 16.8 x 10 x 5.5 in. / 425 x 254 x 140 mm | 16.8 x 11 x 6.5 in. / 425 x 279 x 165 mm | 17 x 11 x 6 in. / 432 x 279 x 152 mm |
| Net Weight | 14.6 lb / 6.6 kg | 15.5 lb / 7 kg | 14.6 lb / 6.6 kg | | 15.2 lb / 6.9 kg |
| Power | 120V, 0.125A, 50/60Hz | | 120V, 5A, 50/60Hz | 120V, 0.125A, 50/60Hz | 120V, 5A, 50/60Hz |
| Power Consumption | 15 W | | 25 W | | |

Other Standard Features and Equipment

Built-in tray with non-slip rubber mat (included), overload protection with audio/visual alarm on digital models and audible alarm on analog models

Compliance

- **Product Safety:** CAN/CSA C22.2 61010-1, CAN/CSA C22.2 61010-2-051, UL 61010-1, UL 61010-2-051
- **Electromagnetic Compatibility:** ICES-003 Class A, FCC Part 15 Class A
- **Compliance Marks:** TÜV SÜD

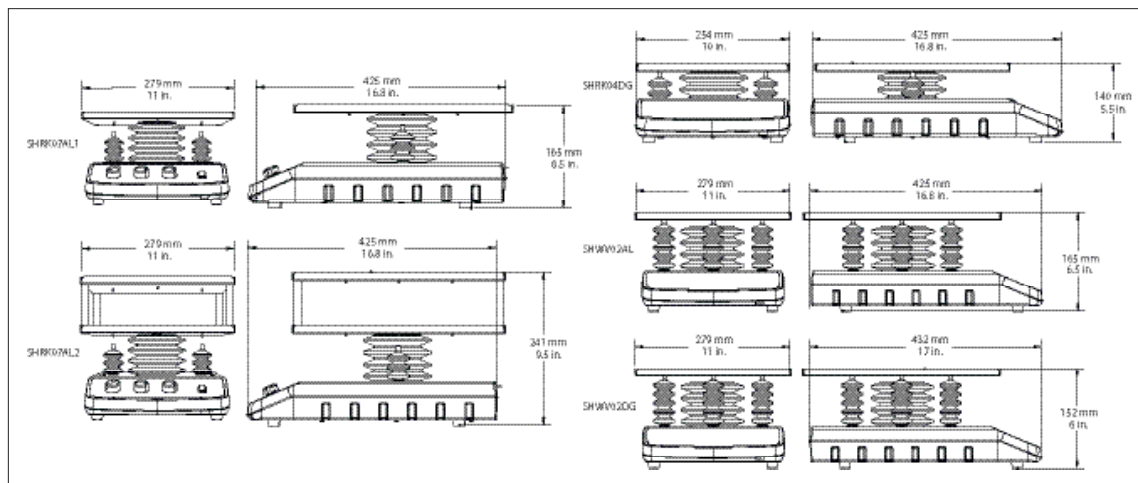
Applications

Mixing blood samples, DNA extractions, blotting techniques, staining and destaining gels, hybridizations

Accessories

| Rocking and Waving Shaker Accessories | | | | | | |
|---------------------------------------|--|-----------|-----------|----------|----------|----------|
| Item No. | Description | SHRK07AL1 | SHRK07AL2 | SHRK04DG | SHWV02AL | SHWV02DG |
| 30400137 | Double Tier Platform Kit Rocker SHRK04DG | | | • | | |
| 30400138 | Double Tier Platform Kit Waver SHWV02DG | | | | | • |
| 30400139 | Double Tier Platform Kit Rocker SHRK07AL | • | | | | |
| 30400140 | Dimpled Mat For Rocker SHRK04DG | | | • | | |
| 30400142 | Dimpled Mat For Waver SHWV02DG | | | | | • |
| 30400144 | Dimpled Mat For Rocker SHRK07AL | • | • | | • | |

Dimensions



OHAUS CORPORATION

7 Campus Drive
Suite 310
Parsippany, NJ 07054 USA

Tel: 800.672.7722
973.377.9000
Fax: 973.944.7177

www.ohaus.com

The management system governing the manufacture of this product is ISO 9001:2015 certified.

